



## *Power Socket Outlets*



The Click MODE range has recently been expanded to include a range of anthracite grey finished accessories to comply with current Building Regulations Part M.

Part M Power Socket Outlets are designed to fit effortlessly with the range, with simple installation to enhance the décor of any area.

All Part M 13A sockets are tested and approved to BS1363 offering assured quality and safety through our BSI Kitemark Licence KM10807.

**13A UK Socket Outlets**

**Product Range**

**13A UK Socket Outlets**

<b>CMA035AG</b>	13A 1 Gang DP Switched Socket
<b>CMA835AG</b>	13A 1 Gang DP Switched Socket with Neon
<b>CMA836AG</b>	13A 2 Gang DP OB Switched Socket (Outboard Rockers)
<b>CMA840AG</b>	13A 2 Gang DP OB Switched Socket with Neon (Outboard Rockers)



CMA035AG



CMA836AG



CMA835AG

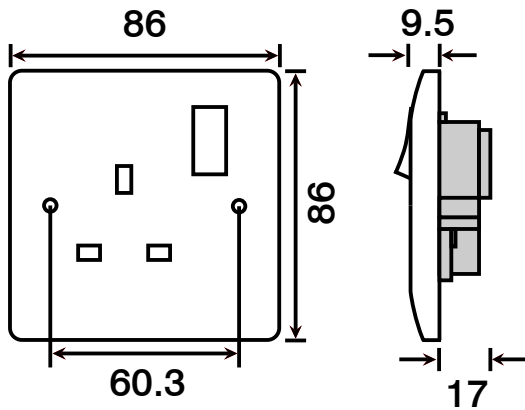


CMA840AG

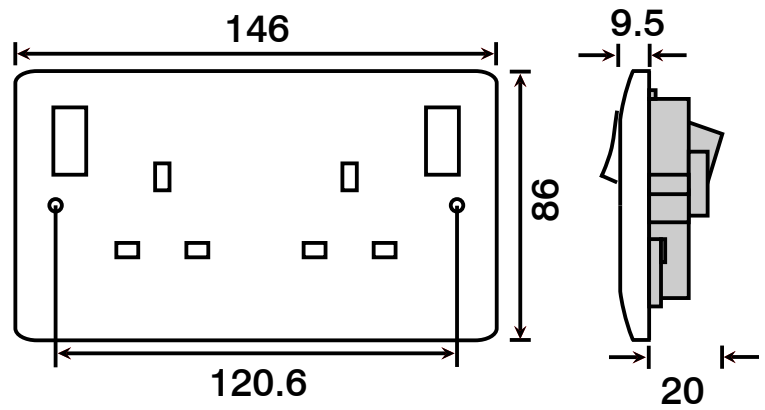
## 13A UK Socket Outlets

### Product Dimensional Drawings (mm)

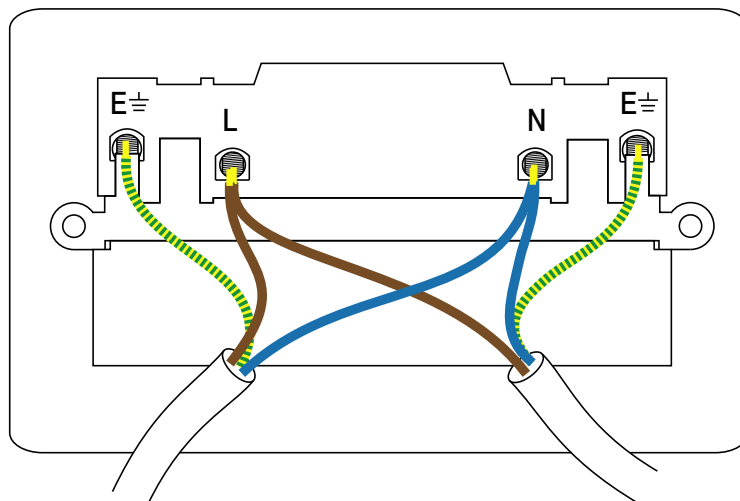
CMA035AG, 835AG



CMA836AG, 840AG



### Product Wiring Diagram



## 13A UK Socket Outlets

### Technical Specification

#### 13A UK Socket Outlets

<b>Material Composition</b>	Front Plate, Rocker Switch & Rear Housing: Urea Terminals: Brass, Terminal Screws: Steel & Yellow Passivated Internal Mechanism: Formed Press Brass Silver “on-lay” Copper / Brass Contacts
<b>Voltage</b>	240V~ 50Hz
<b>Current Rating</b>	13A
<b>Terminal Size</b>	5mm ø
<b>Torque Value</b>	2.5Nm
<b>Cable Size</b>	4 x 2.5mm <sup>2</sup>
<b>Back Box Depth</b>	25mm - 47mm
<b>Double Pole</b>	Yes
<b>Twin Earth</b>	(836, 840)
<b>Warranty</b>	20 Years
<b>Anti Microbial Certified</b>	Yes
<b>LRV Value</b>	8.9
<b>IP Rating</b>	IP20
<b>Operational Temperature</b>	-5° to +40°C
<b>Standards</b>	BSI Kitemark Approved (Licence KM10807) BS 1363-2:1995+A4:2012 Modified ISO 22196

### Additional Information

Ensure that the mains supply is isolated before commencing installation and refer to the circuit diagram with the relevant product.

Bare earth cables must always be covered with appropriate sleeving and wired to the earth terminal.

All white moulded accessories are manufactured using Urea Formaldehyde, which has similar inherent properties to antimicrobial additives that inhibit the growth of infectious diseases. All products were independently tested and achieved a 99.9% kill rate across all four types of the strains of bacteria - MRSA, E-Coli, Salmonella, and Klebsiella Pneumoniae.

# Part M Range

## DECLARATION OF CONFORMITY

1. **Issuer Name** Scolmore International Limited
2. **Issuer Address** 1 Scolmore Park, Landsberg,  
Lichfield Road Industrial Estate,  
Tamworth, Staffordshire, B79 7XB
3. **Object(s) of Declaration** Part M Range
  - a. **Group** Socket Outlets
  - b. **Model No.** CMA035AG, CMA835AG, CMA838AG, CMA0MDAG
4. *The object of the declaration described above is in conformity with the requirements of the following Legislations:*
5. *All products contained within the aforementioned comply with the relevant standards and requirements listed below.*

BSI Kitemark Licence KM10807  
BS 1363-2: 1995 + A4: 2012

6. *I hereby declare that the equipment named above has been designed to comply with the relevant sections of the above referenced specifications. The unit complies with all applicable Essential Requirements of the Directives.*

*In conjunction with the above all manufacture and process controls are in accordance with ISO 9001:2008*

Signed, for and on behalf of: Scolmore International Limited



Steven Bettson BSc - Senior Technical Support Engineer

# CE 15